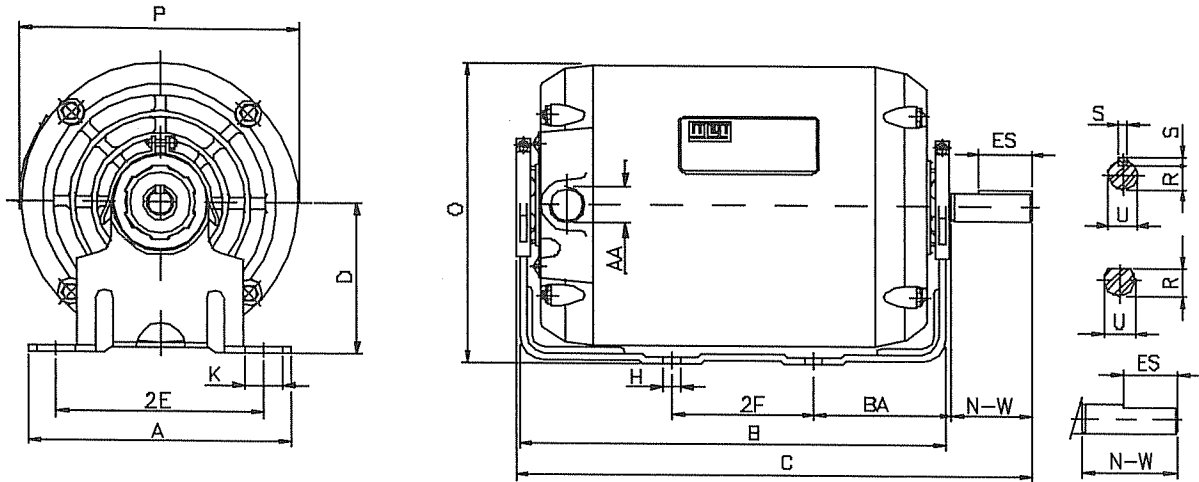


# MECHANICAL DATA



## GENERAL PURPOSE - NEMA 56 ODP - RESILIENT BASE - SINGLE PHASE

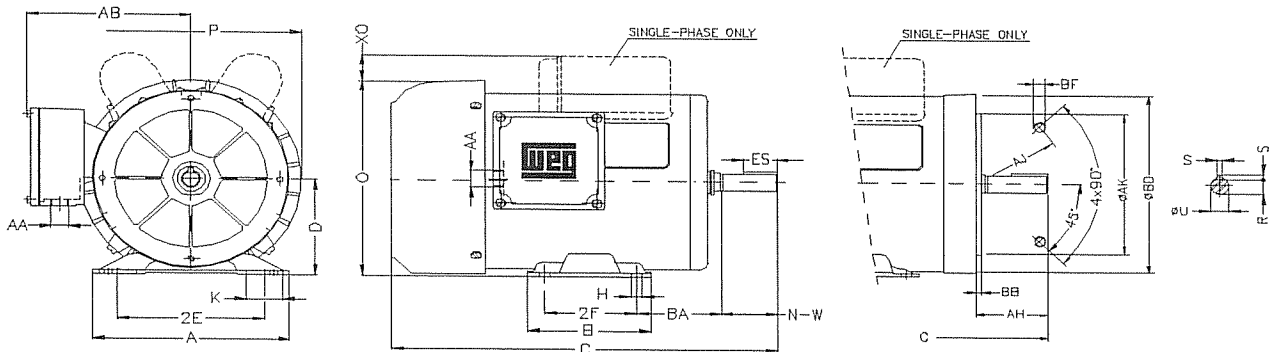
| FRAME | MOUNTING |       |       | A     | B     | C      | D     | H | K | O     | P | BB    | KEY WAY |       |    | SHAFT EXTENSION |       |
|-------|----------|-------|-------|-------|-------|--------|-------|---|---|-------|---|-------|---------|-------|----|-----------------|-------|
|       | 2E       | 2F    | BA    |       |       |        |       |   |   |       |   |       | S       | R     | ES | N-W             | U     |
| 56    | 4,875    | 3,000 | 2,748 | 6,535 | 4,015 | 10,945 | 3,500 |   |   | 6,374 |   | 8,543 | 0.187   | 0.517 |    | 1,874           | 0.625 |
| C56   |          |       |       |       |       | 11,732 |       |   |   |       |   | 9,330 |         |       |    |                 |       |
| A56   |          |       |       |       |       | 11,024 |       |   |   |       |   | 8,543 |         |       |    |                 |       |
| B56   |          |       |       |       |       | 11,811 |       |   |   |       |   | 9,330 |         |       |    |                 |       |



## GENERAL PURPOSE MOTORS - NEMA 48 & 56 TEFC

| FRAMES | MOUNTING |       |       |       |       | A     | B      | C      | D     | O     | P     | XO    | KEYWAY |       |       | SHAFT EXTENSION |       | AB            | AA            | BEARINGS |         |
|--------|----------|-------|-------|-------|-------|-------|--------|--------|-------|-------|-------|-------|--------|-------|-------|-----------------|-------|---------------|---------------|----------|---------|
|        | 2E       | 2F    | H     | K     | BA    |       |        |        |       |       |       |       | S      | R     | ES    | N-W             | U     |               |               | D.E.     | O.D.E.  |
| B56    | 4,875    | 3,000 | 0.343 | 1,220 | 2,750 | 6,535 | 4,016  | 11,102 | 3,500 | 7,165 | 7,323 | 1,064 | 0.187  | 0.517 | 1,102 | 1,874           | 0.625 | 5,433         | 2x<br>NPT1/2" | 6203-ZZ  | 6202-ZZ |
| D56    |          |       |       |       |       |       | 12,283 |        |       |       |       |       |        |       |       |                 |       |               |               |          |         |
| F56H   |          |       |       |       |       |       | 13,464 |        |       |       |       |       |        |       |       |                 |       |               |               |          |         |
| G56H   |          |       |       |       |       |       | 13,858 |        |       |       |       |       |        |       |       |                 |       |               |               |          |         |
| F143T  | 5,500    | 5,000 | X     | X     | 2,250 | 6,496 | 14,488 | 14,882 |       |       |       |       |        |       |       |                 |       | 2x<br>NPT3/4" | 6204-ZZ       | 6203-ZZ  |         |
| G145T  |          |       |       |       |       |       | 14,882 |        |       |       |       |       |        |       |       |                 |       |               | 0.766         |          | 1,417   |

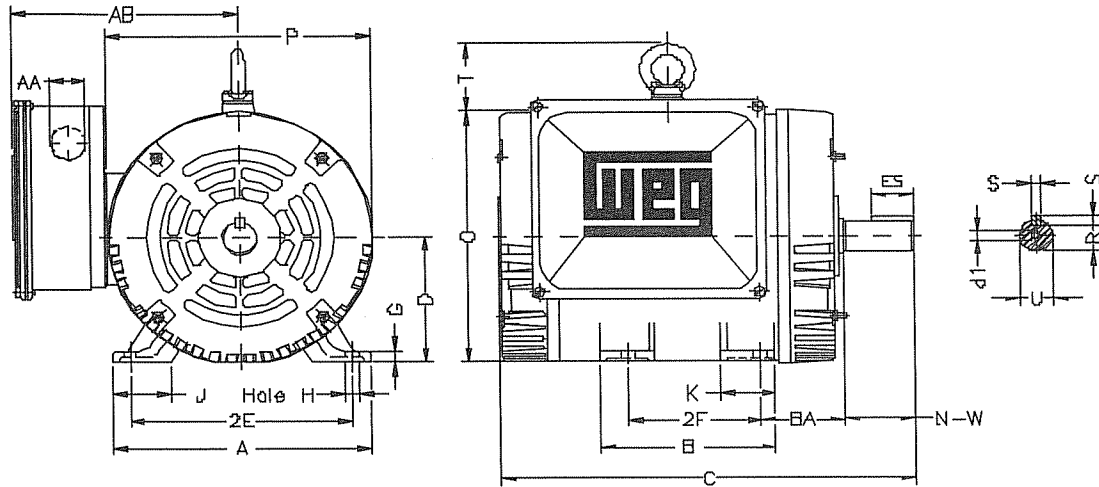
| NEMA FRAMES | AJ    | AK    | BD    | BF     |              | BB    | AH    |
|-------------|-------|-------|-------|--------|--------------|-------|-------|
|             |       |       |       | NUMBER | TAP SIZE     |       |       |
| B56         | 5,875 | 4,500 | 6,535 | 4      | UNC 3/8" x16 | 0.157 | 2,063 |
| D56         |       |       |       |        |              |       |       |
| F56H        |       |       |       |        |              |       |       |
| G56H        |       |       |       |        |              |       |       |
| F143T       |       |       |       |        |              |       |       |
| G145T       | 2,125 |       |       |        |              |       |       |





## GENERAL PURPOSE SINGLE PHASE MOTORS - ODP NEMA "T"

| NEMA FRAMES | MOUNTING |       |       |       | A     | B      | C      | D     | G     | J     | K     | O     | P     | T     | KEYWAY |       |       | SHAFT EXTENSION |       | AB    | AA    | d1 | BEARINGS |         |
|-------------|----------|-------|-------|-------|-------|--------|--------|-------|-------|-------|-------|-------|-------|-------|--------|-------|-------|-----------------|-------|-------|-------|----|----------|---------|
|             | 2E       | 2F    | H     | BA    |       |        |        |       |       |       |       |       |       |       | S      | R     | ES    | N-W             | U     |       |       |    | D.E.     | O.D.E.  |
| 182T        | 7.500    | 4.500 | 0.406 | 2.750 | 8.653 | 5.695  | 14.448 | 4.500 | 0.500 | 1.929 | 1.850 | 9.382 | 8.968 | 1.772 | 0.250  | 0.984 | 1.771 | 2.750           | 1.125 | 7.925 | NPT1" | A4 | 6206-ZZ  | 6205-ZZ |
| 184T        | 5.500    | 6.869 |       |       |       | 14.870 |        |       |       |       |       |       |       |       |        |       |       |                 |       |       |       |    |          |         |



## GENERAL PURPOSE SINGLE PHASE MOTORS - TEFC NEMA "T"

| NEMA FRAMES | MOUNTING |       |       |       | A     | B      | C      | D     | G     | J     | K     | O     | P     | T     | KEYWAY |       |       | SHAFT EXTENSION |       | AB    | AA      | d1 | BEARING |         |
|-------------|----------|-------|-------|-------|-------|--------|--------|-------|-------|-------|-------|-------|-------|-------|--------|-------|-------|-----------------|-------|-------|---------|----|---------|---------|
|             | 2E       | 2F    | H     | BA    |       |        |        |       |       |       |       |       |       |       | S      | R     | ES    | N-W             | U     |       |         |    | D.E.    | O.D.E.  |
| W182/4T     | 7.500    | 4.500 | 0.406 | 2.750 | 8.661 | 6.968  | 17.240 | 4.500 | 0.630 | 1.890 | 2.441 | 8.267 | 7.800 | 1.851 | 0.250  | 1.234 | 1.771 | 2.750           | 1.125 | 7.362 | NPT3/4" | A4 | 6206-ZZ | 6206-ZZ |
|             |          | 5.500 |       |       |       | 17.050 | 1.968  |       |       |       | 7.835 |       |       |       |        |       |       |                 |       |       |         |    |         |         |
| W213/5T     | 8.500    | 7.000 | 0.406 | 3.500 | 9.765 | 8.875  | 21.000 | 5.250 | 0.830 | 2.000 | 3.343 | 9.610 | 8.820 | 1.690 | 0.312  | 1.516 | 2.480 | 3.375           | 1.375 | 7.953 | NPT1"   | A4 | 6308-ZZ | 6206-ZZ |
| 215T        | 2.165    |       |       |       |       | 10.630 | 9.055  |       |       |       |       |       |       |       |        |       |       |                 |       |       |         |    |         |         |

